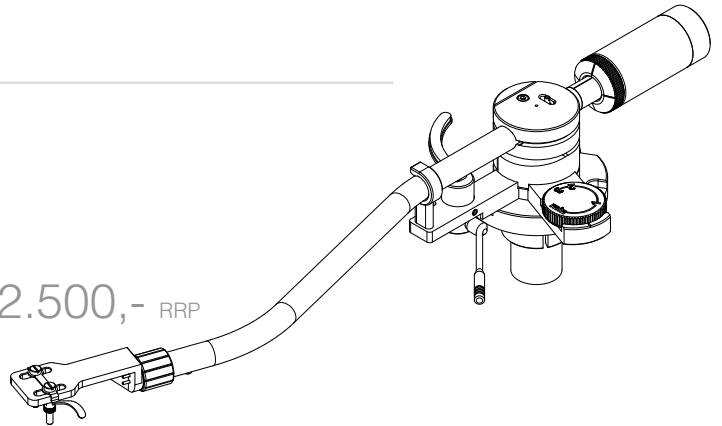


TA-SF11R

Best possible rigidity and quality of motion in a transcription tonearm

- ◇ 265 mm pivot to spindle distance
- ◇ Replaceable industry standard headshell
- ◇ Steel armtube
- ◇ Flexure pivot horizontal bearing
- ◇ Hybrid ceramic vertical bearings
- ◇ JIS type base and headshell included

€2.500,- RRP

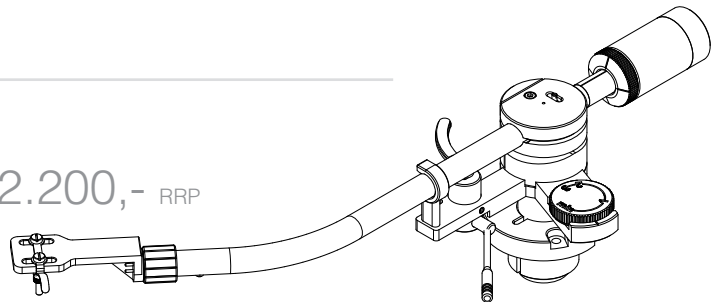


TA-SF9R

Industry standard 9 inch geometry
Unparalleled rigidity and quality of motion

- ◇ 214 mm pivot to spindle distance
- ◇ Drop-in replacement for a popular discontinued tonearm
- ◇ Replaceable industry standard headshell
- ◇ Steel armtube
- ◇ Flexure pivot horizontal bearing
- ◇ Hybrid ceramic vertical bearings
- ◇ JIS type base and headshell included

€2.200,- RRP

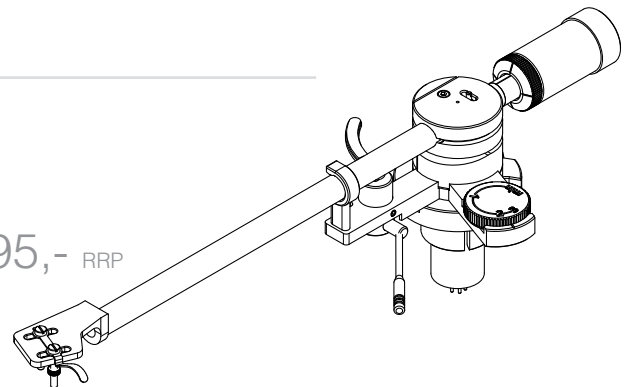


TA-SF9

Fixed headshell version of the TA-SF9R
More affordable with the same sonic performance

- ◇ 214 mm pivot to spindle distance
- ◇ Drop-in replacement for a popular discontinued tonearm
- ◇ Steel armtube
- ◇ Fixed ceramic headshell
- ◇ Flexure pivot horizontal bearing
- ◇ Hybrid ceramic vertical bearings
- ◇ JIS type base included

€1.895,- RRP

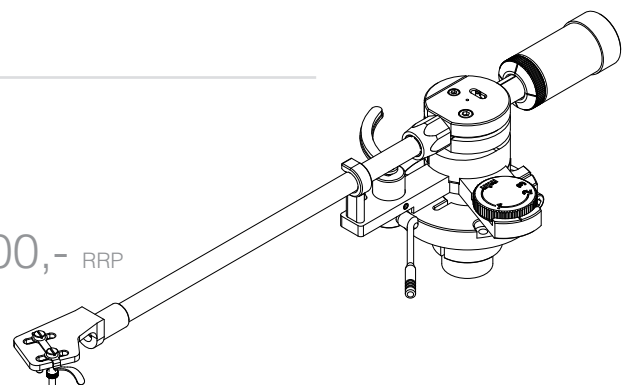


TA-AF9/10

Ultimate rigidity in our best pivoting tonearm

- ◇ 214 mm or 230 mm pivot to spindle
- ◇ Ceramic armtube
- ◇ Fixed ceramic headshell
- ◇ Flexure pivot horizontal bearing
- ◇ Advanced ceramic (Si₃N₄) vertical bearings
- ◇ JIS type base included

€3.200,- RRP

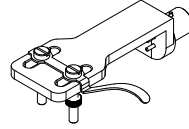


HS-A02

€199,- RRP

World's only fully ceramic headshell

- ◇ Many devoted fans: "Simply the best headshell I have used"
- ◇ Single seamless ceramic casting
- ◇ Built with rigidity in mind
- ◇ Measurably better

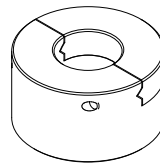


€299,- RRP

AS-B01

Brass tonearm stabilizer

- ◇ Fits under the plinth/armboard
- ◇ Balances the tonearm, no "upside down pendulum" effect
- ◇ Significant performance improvement
- ◇ Easy to install



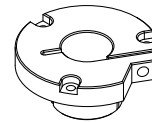
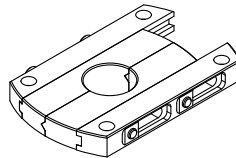
AB-LS02/LJ02

€270,- SME RRP

€120,- JIS

SME or JIS standard tonearm mounting bases

- ◇ Suitable for all Korf tonearms
- ◇ Will fit other tonearms with a 20mm shaft
- ◇ Clamping action instead of a set screw
- ◇ Better connection between the tonearm and the turntable
- ◇ No rocking, no angular errors

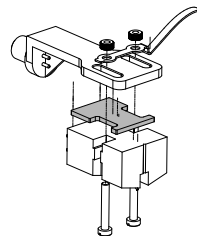


€49,- RRP

CB-A01

Discontinued, available while stocks last

- ◇ Fits between the cartridge and the headshell
- ◇ Affordable entry point into the Korf sound
- ◇ An easy way to improve rigidity in fixed headshell tonearms



For more information:

<http://korfaudio.com>
alex@korfaudio.com

+43 650 275 2923

RRP and specifications subject to change.