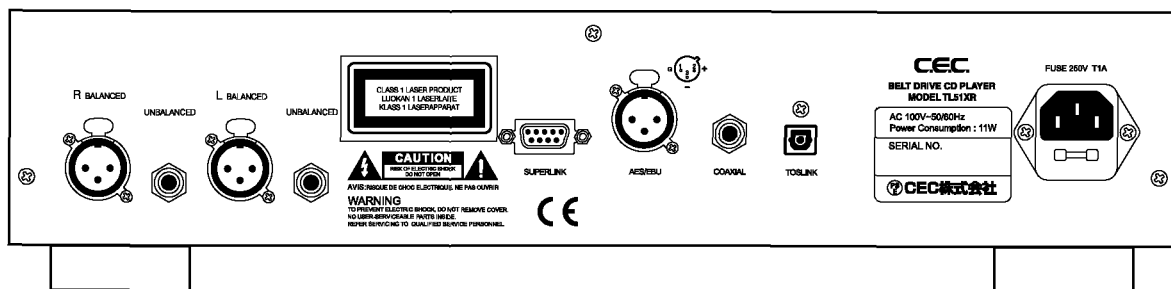
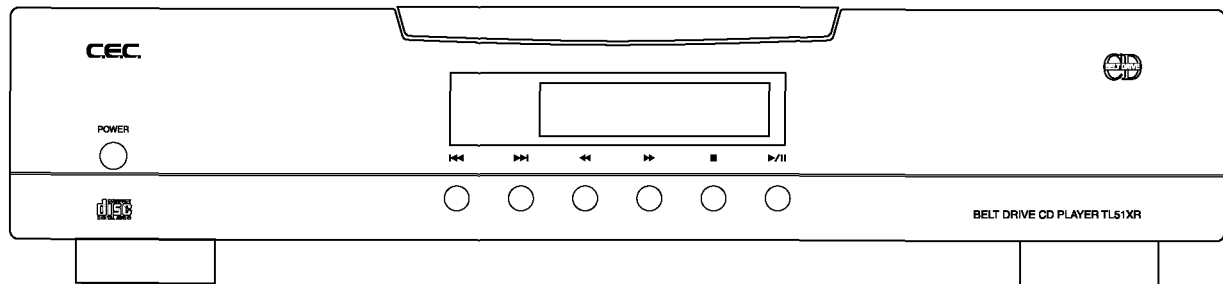
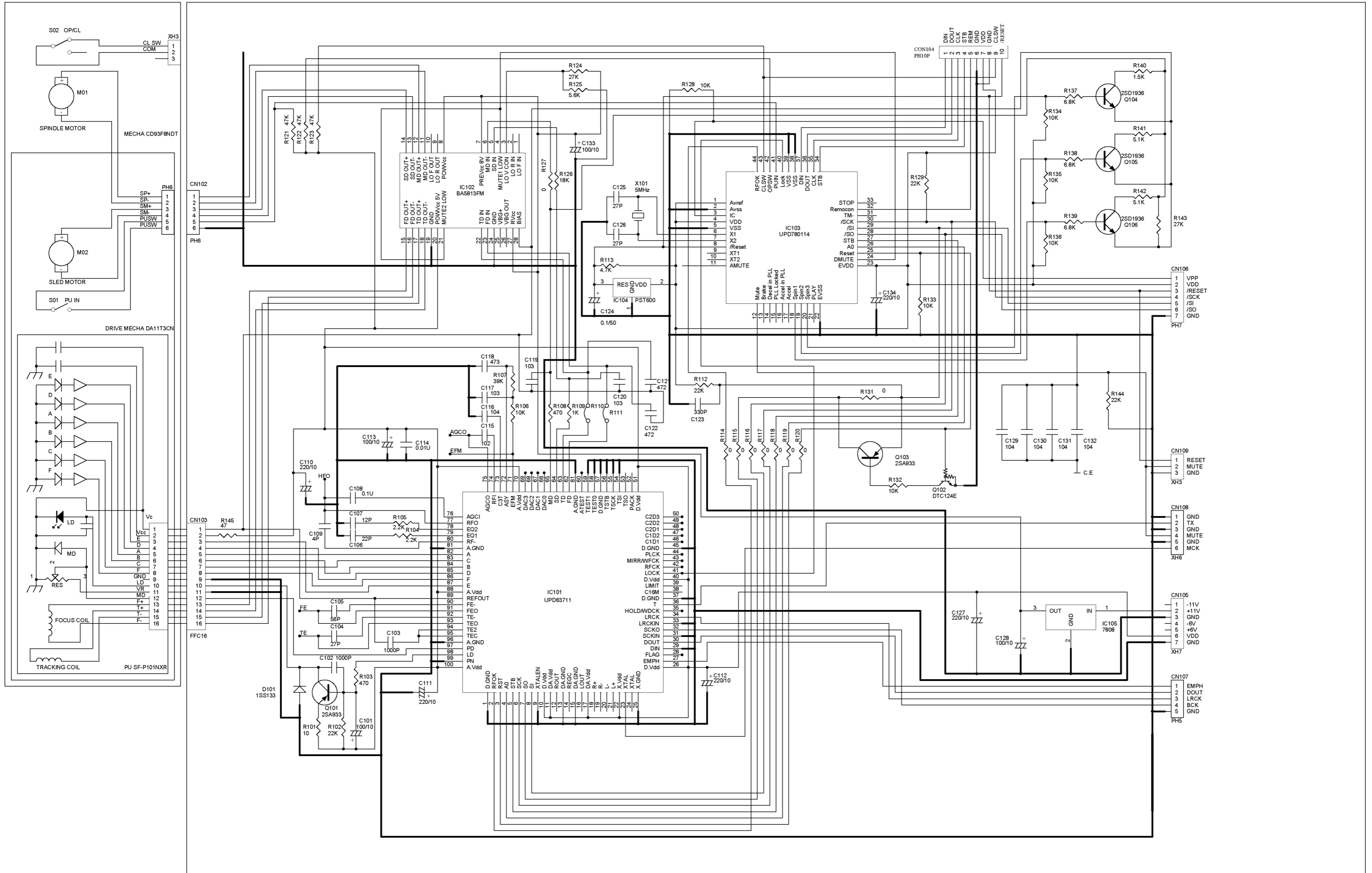


# TL51XR

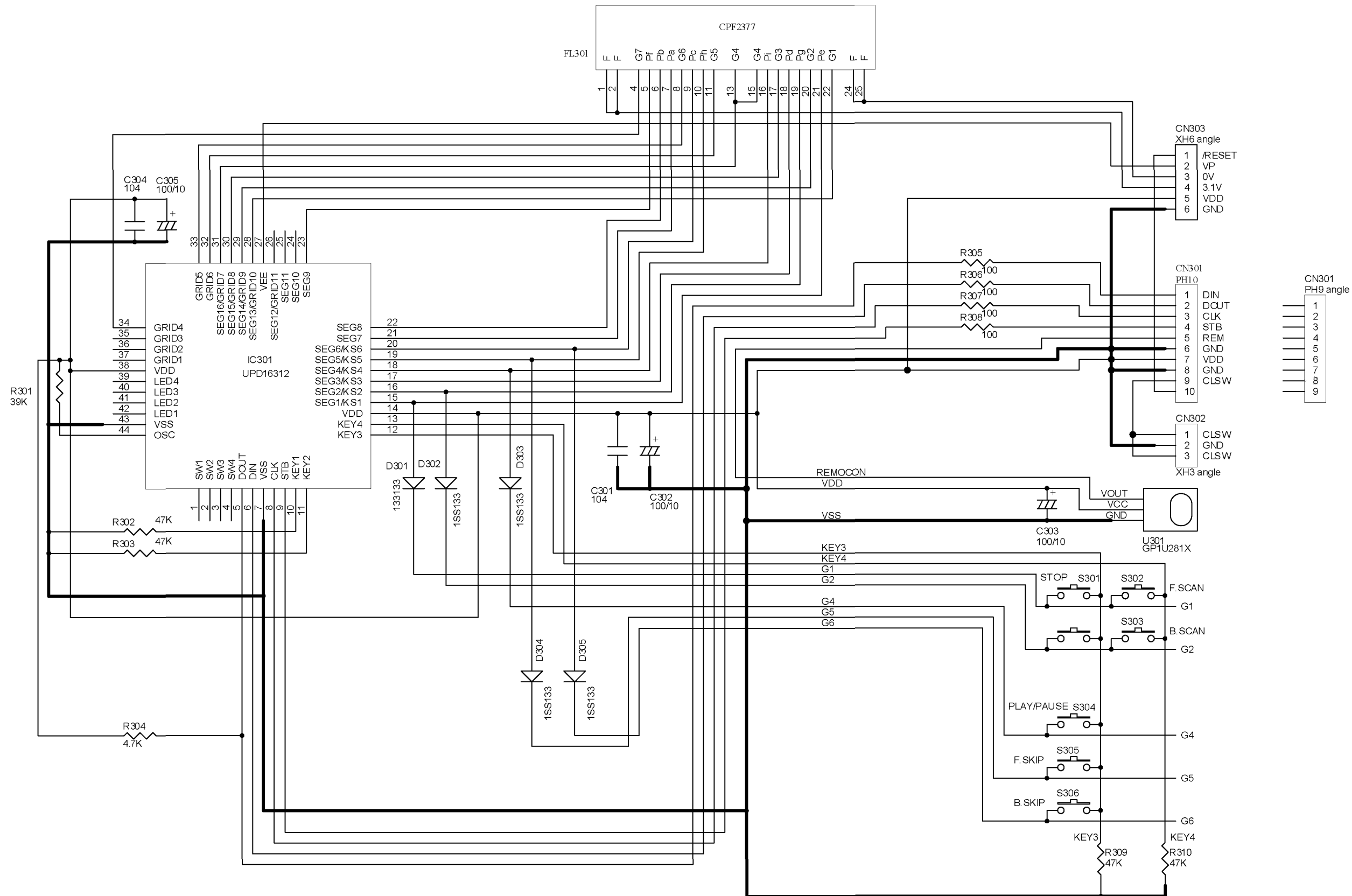
## Service Manual



**CEC**

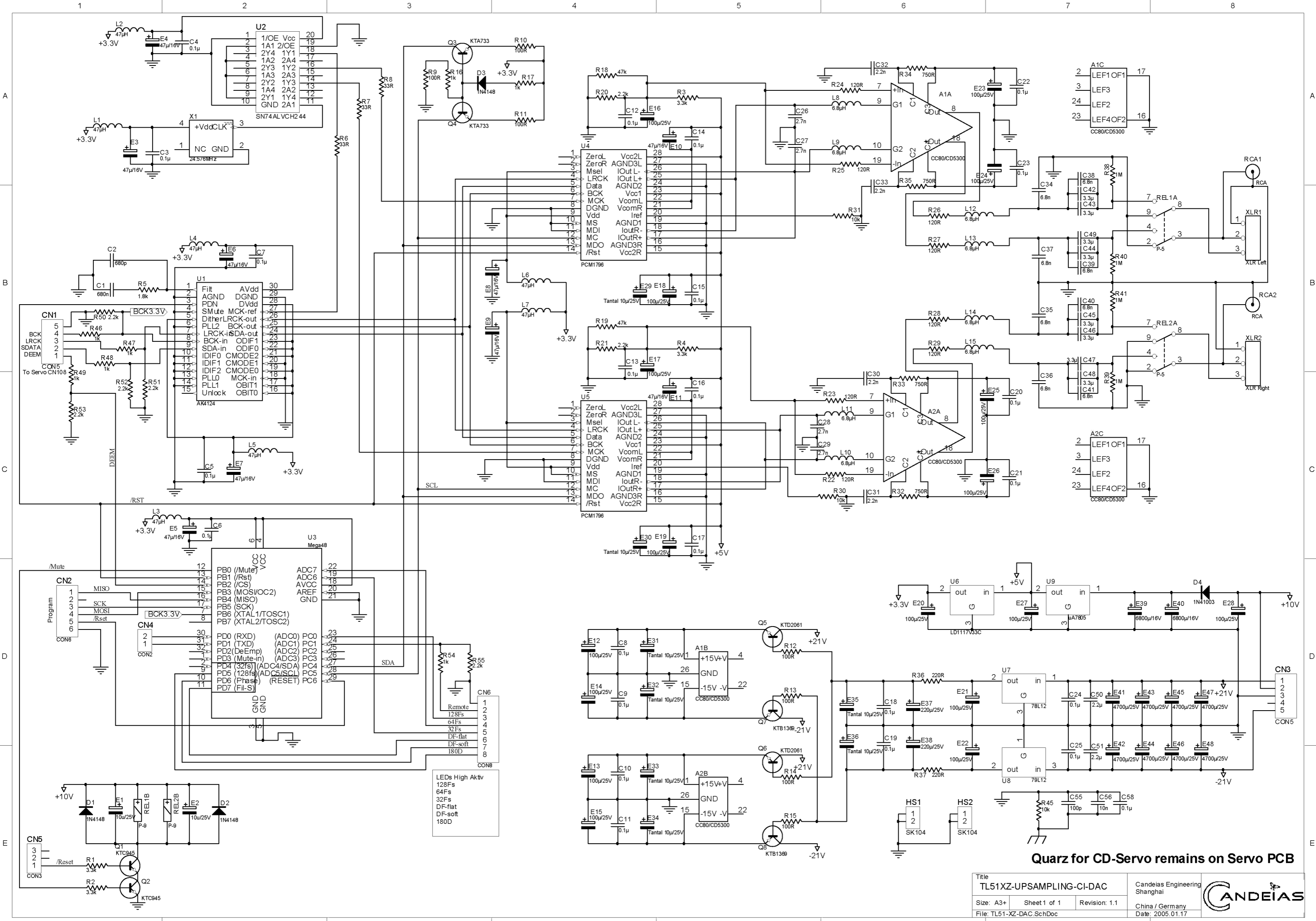


APPROVALS	CHECKED	DRAWN	Title	
			Servo Circuit for TL-51X	
		03.05.30	Size	Revision
		S. IN	A2	05-060600-01
			Num er	
			Date:	24-Apr-2006
			File:	D: F My Documents Protel dd TL51X.Dwg



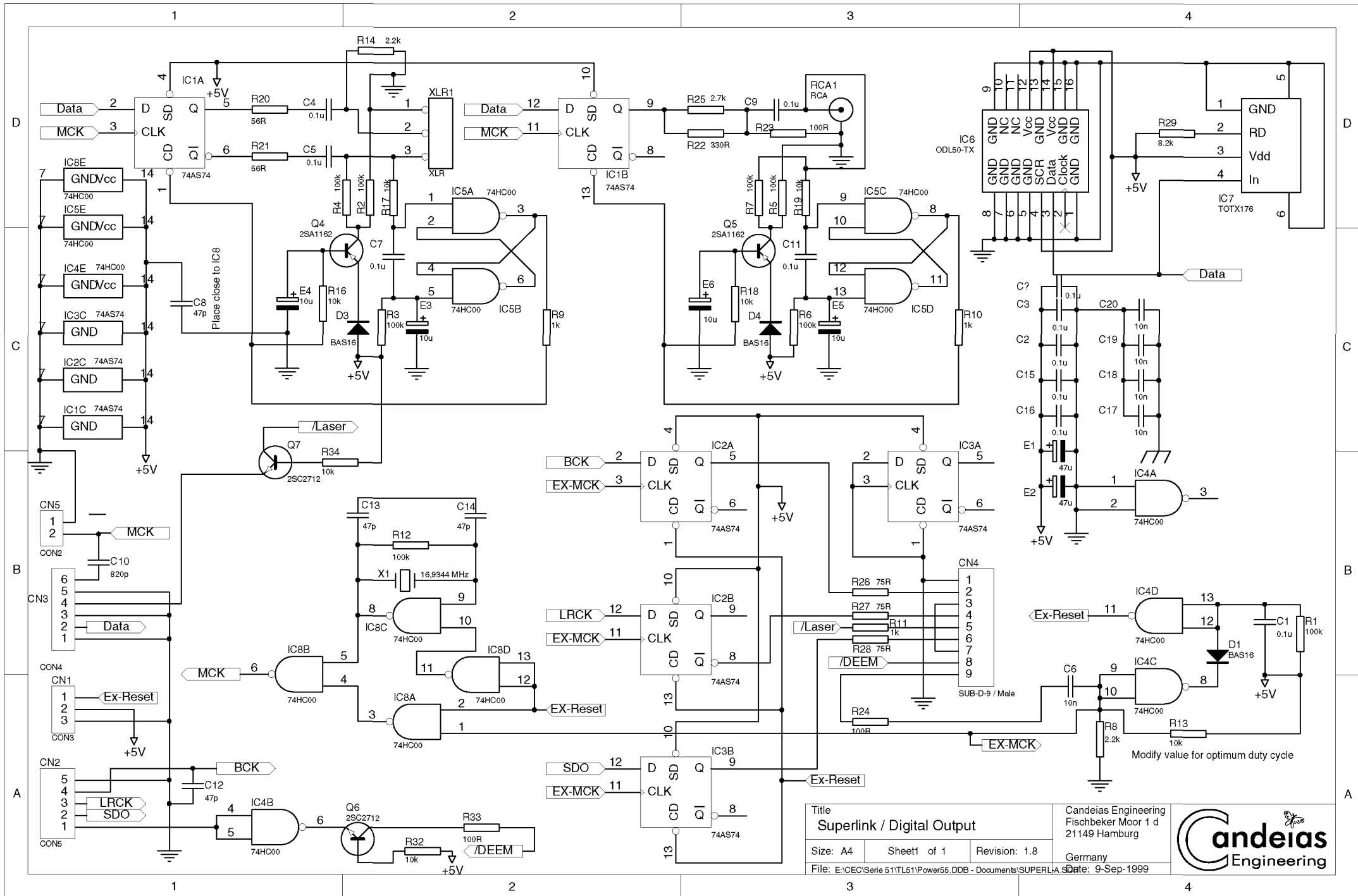
△			
△			

APPROVALS	CHECKED	DRAWN	Title	
		'03.06.3	Control Circuit for TL-51X	
		S. J. JIN	Size	Revision
			A3	05-060600-03
			Date:	2005/07/28
			File:	C:\Documents and Settings\TL51-con
			Sheet 1 of 1	sep.26,2000
			Drawn By:	



Quarz for CD-Servo remains on Servo PCB

Title TL51XZ-UPSAMPLING-CI-DAC			Candeias Engineering Shanghai		
Size: A3+	Sheet 1 of 1	Revision: 1.1			China / Germany
File: TL51-XZ-DAC.SchDoc					Date: 2005.01.17



Title  
**Superlink / Digital Output**

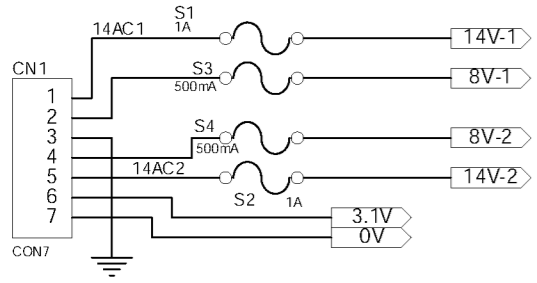
Size: A4    Sheet: of 1    Revision: 1.8

File: E:\CEO\Serie 51\TL51\Power55.DDB - Documents\SUPERLIA.SDB Date: 9-Sep-1999

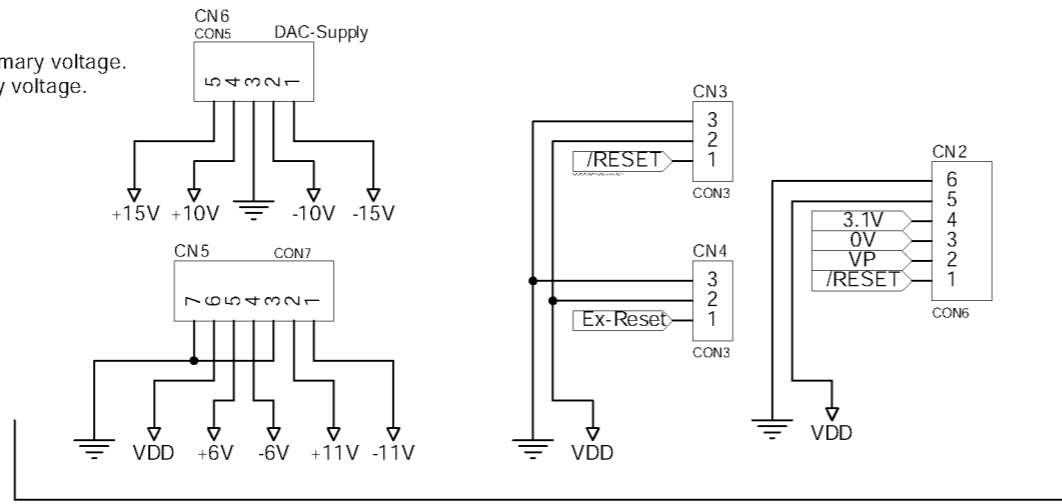
Candeias Engineering  
 Fischbeker Moor 1 d  
 21149 Hamburg  
 Germany



Transformer voltage 14AC should be 14VAC at specified primary voltage.  
Transformer voltage 7V should be 8VAC at specified primary voltage.

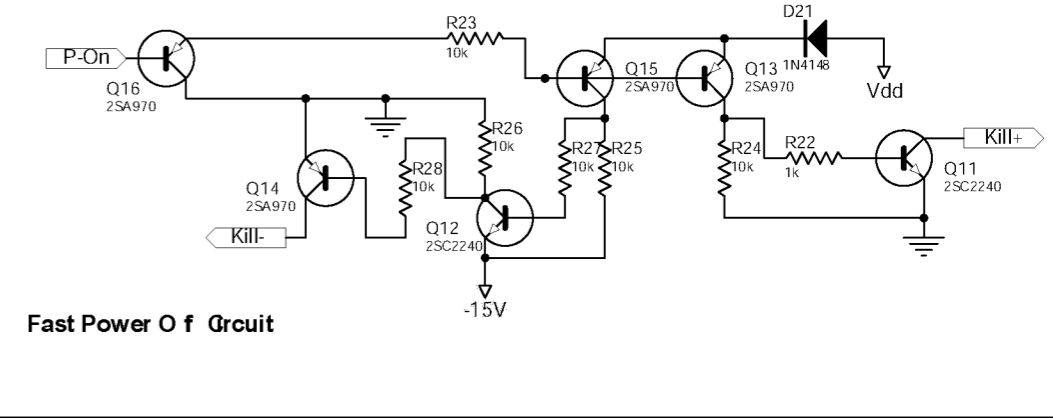
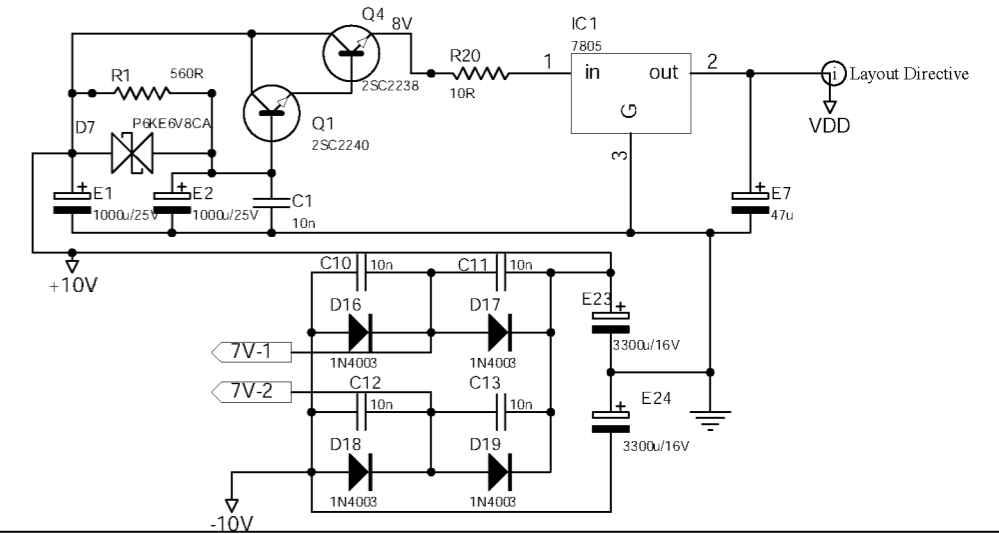


Secondary Transformer Connector



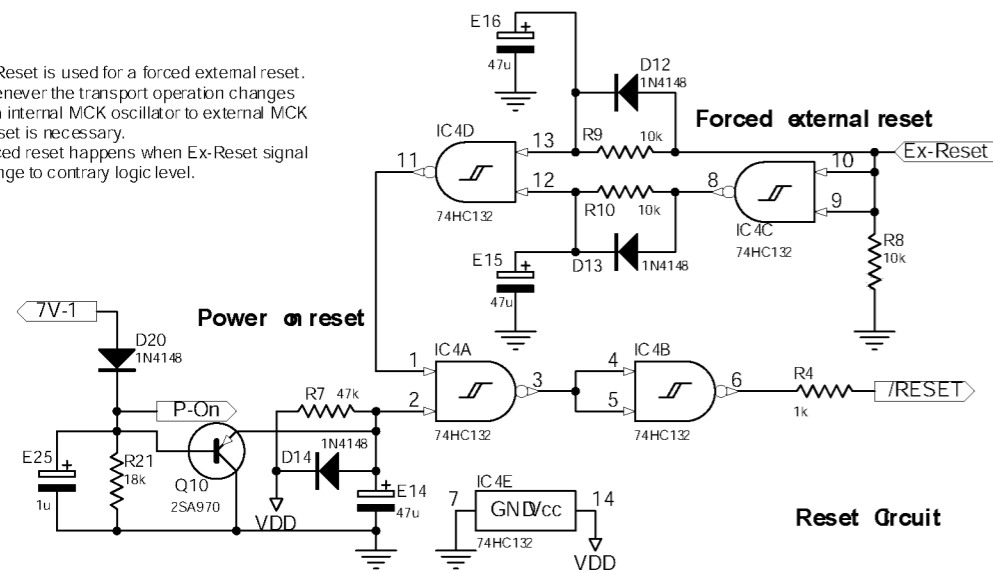
Power Supply Connectors

5V Circuit



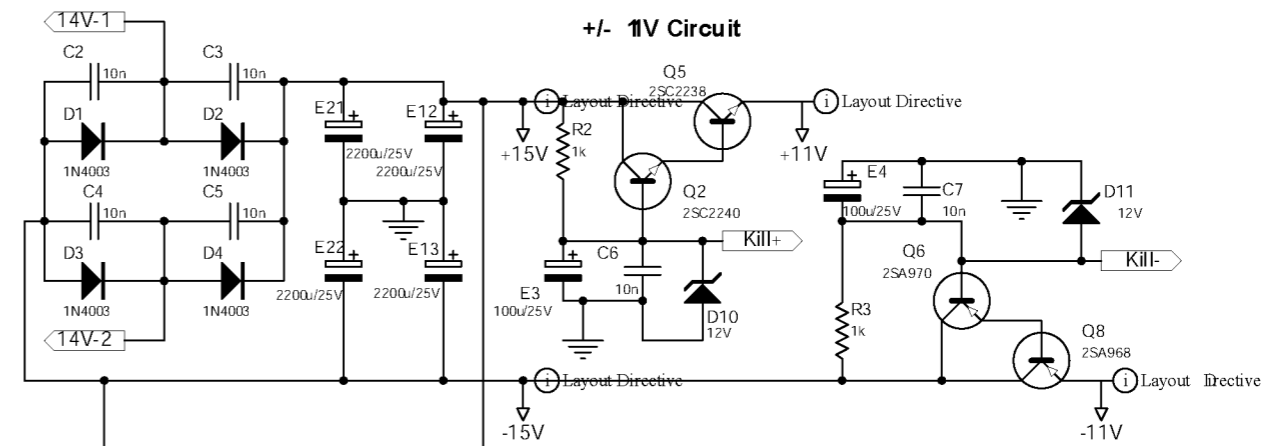
Fast Power Off Circuit

Ex-Reset is used for a forced external reset. Whenever the transport operation changes from internal MCK oscillator to external MCK a reset is necessary. Forced reset happens when Ex-Reset signal change to contrary logic level.

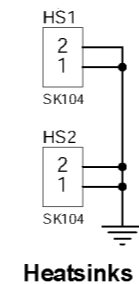
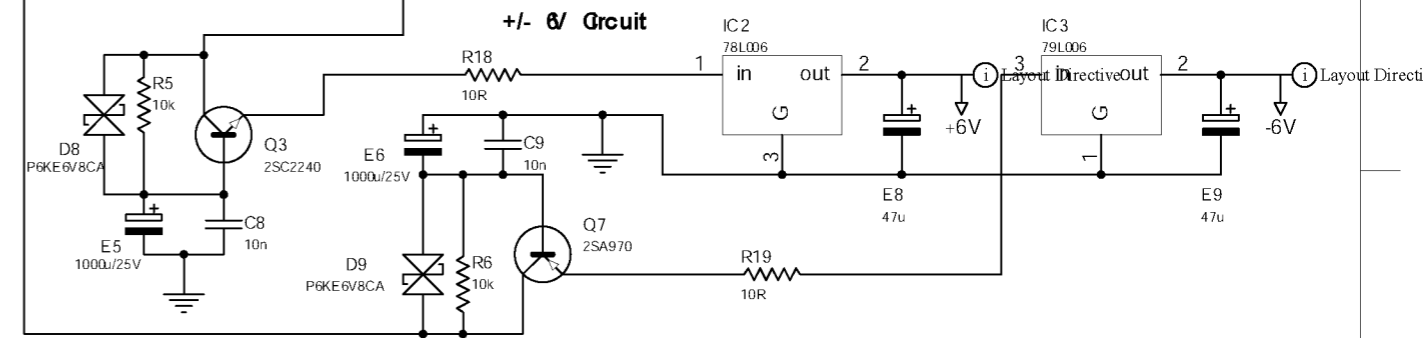


Reset Circuit

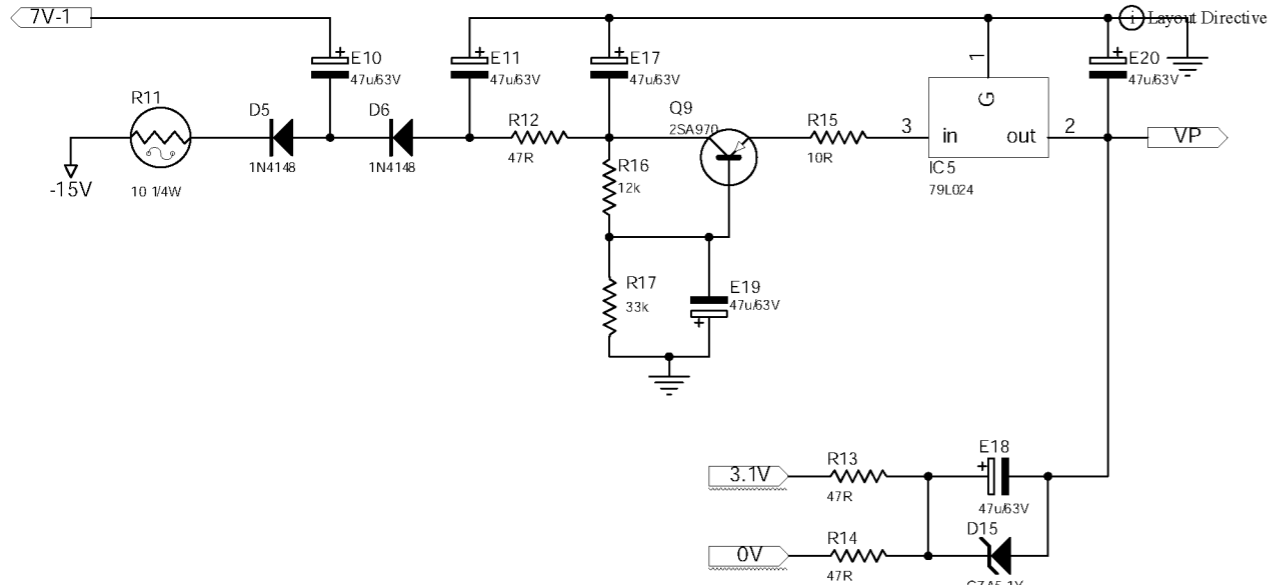
+/- 11V Circuit



+/- 6V Circuit



Heatsinks



Display Supply