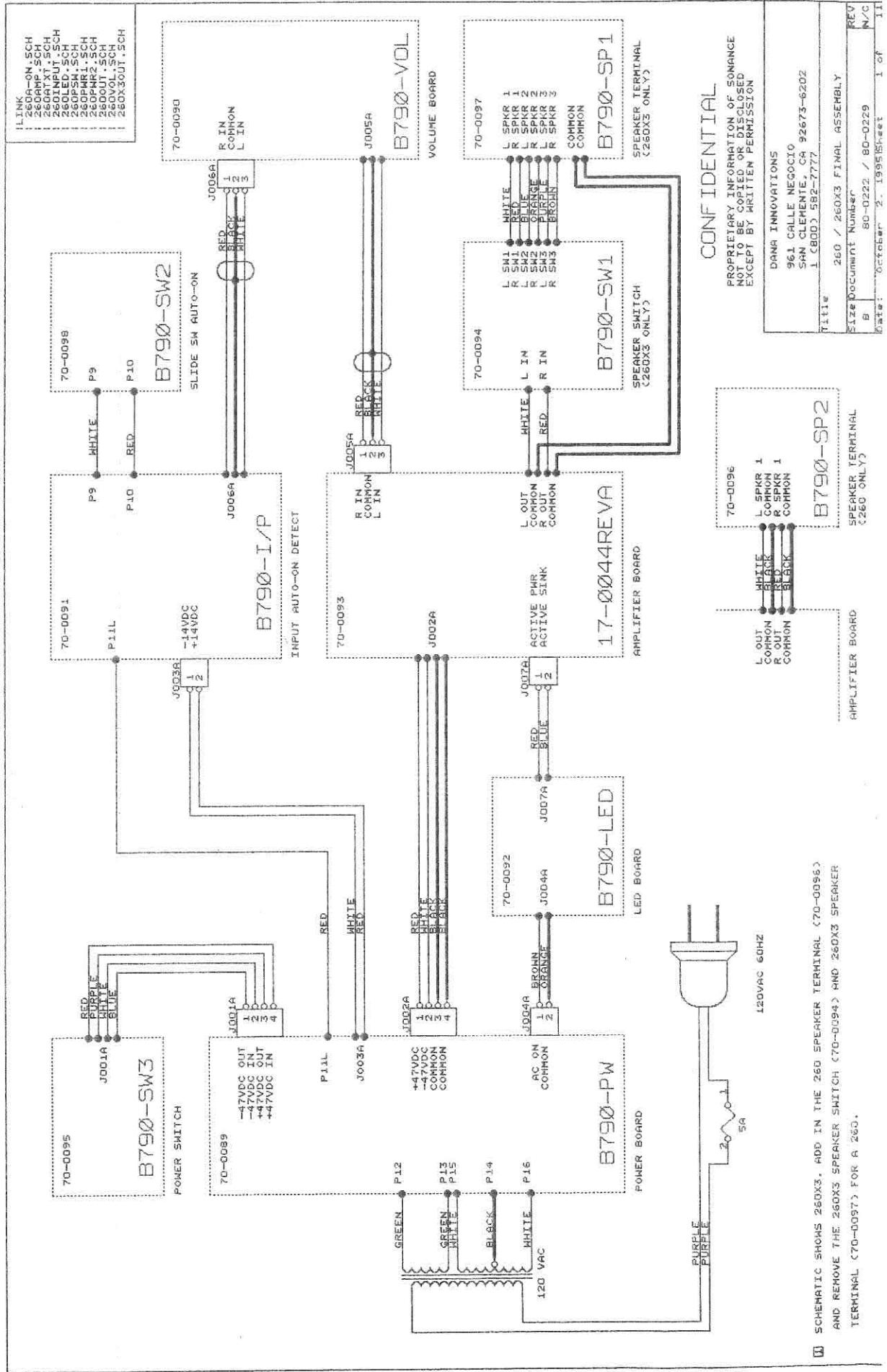


SONAMP 260 & 260X3

TWO CHANNEL 60 WATT AMPLIFIER



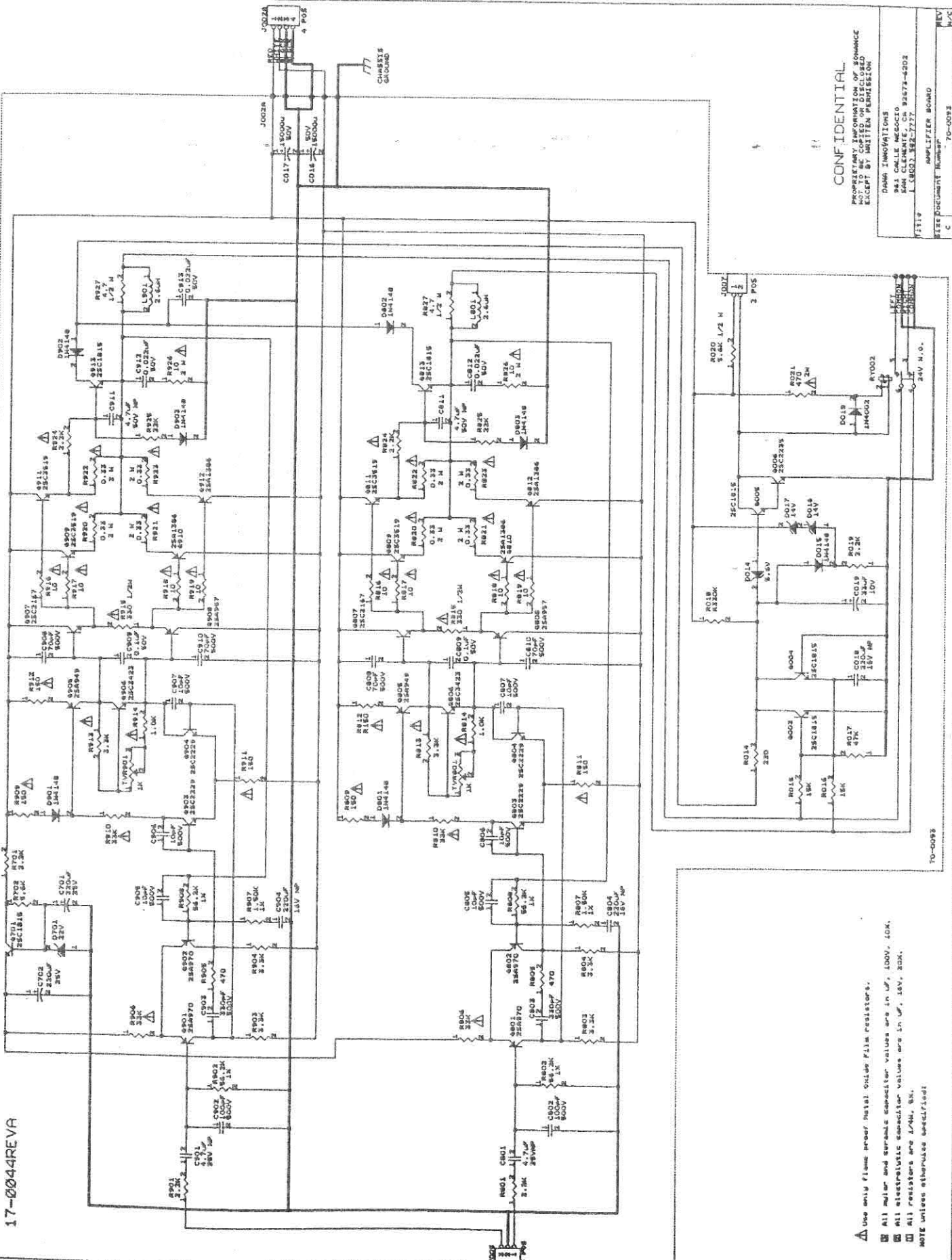
CONFIDENTIAL

PROPRIETARY INFORMATION OF SONANGE
NOT TO BE COPIED OR DISCLOSED
EXCEPT BY WRITTEN PERMISSION

DANA INNOVATIONS
961 CALLE NEGOCIO
SAN CLEMENTE, CA 92673-6202
Title: 260 / 260X3 FINAL ASSEMBLY
Size: Document Number 80-0222 / 80-0229
Date: October 2, 1995/Rest 1 of 11

SCHEMATIC SHOWS 260X3, ADD IN THE 260 SPEAKER TERMINAL (70-0096) AND REMOVE THE 260X3 SPEAKER SWITCH (70-0094) AND 260X3 SPEAKER TERMINAL (70-0097) FOR A 260.

17-0044REVA

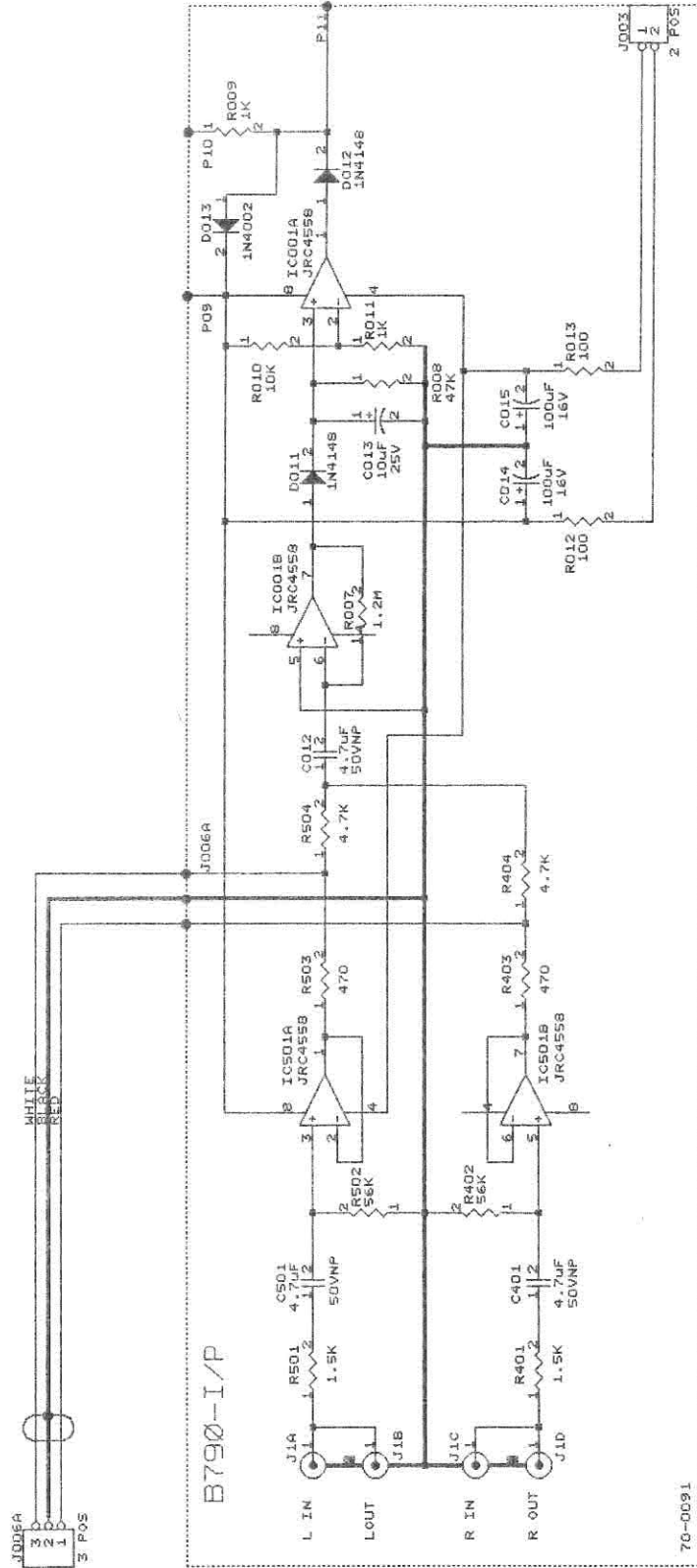


CONFIDENTIAL
 PROPRIETARY INFORMATION OF SONNAC
 EXCEPT BY WRITTEN PERMISSION

DATA INFORMATION
 345 CALLE MESCO
 SAN JOSE, CALIF. 95128
 TEL. (415) 282-7777
 FAX (415) 282-7777
 17-0044
 REVISION NUMBER
 70-0093
 REV
 M/C

- △ Use only film or metal oxide film resistors.
 - All miller and ceramic capacitor values are in μ F, 100V, 10%.
 □ All electrolytic capacitor values are in μ F, 15V, 20%.
 - All resistors are 1/4W, 5%.
- NOTE: Unless otherwise specified:

70-0093



CONFIDENTIAL

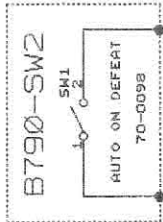
PROPRIETARY INFORMATION OF SONANCE
 NOT TO BE COPIED OR DISCLOSED
 EXCEPT BY WRITTEN PERMISSION

DANA INNOVATIONS
 961 CALLE NEGOCIO
 SAN CLEMENTE, CA 92673-6202
 1.08000.582-7777

Title	INPUT & AUTO-ON DETECT BOARD
Size	Document Number
B	70-0091
Date:	October 2, 1995
Sheet	3 of 11
REV	N/C

- ② All molar and ceramic capacitor values are in μ F, 100V, 10%.
- ③ All electrolytic capacitor values are in μ F, 16V, 20%.
- ④ All resistors are 1/4W, 5%.

NOTE unless otherwise specified:

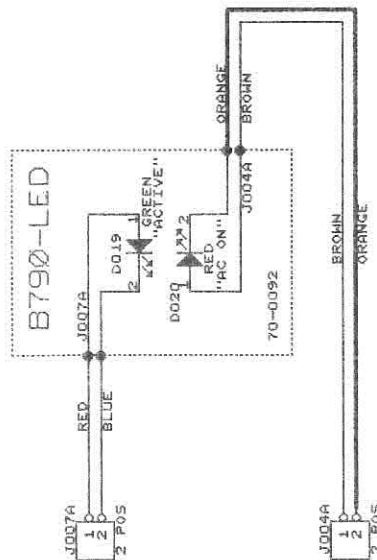


- ③ All milar and ceramic capacitor values are in μ F, 100V, 10%.
 - ② All electrolytic capacitor values are in μ F, 16V, 20%.
 - ① All resistors are 1/4W, 5%.
- NOTE unless otherwise specified:

CONFIDENTIAL

PROPRIETARY INFORMATION OF SONNANCE
NOT TO BE COPIED OR DISCLOSED
EXCEPT BY WRITTEN PERMISSION

Dana Innovations 961 Calle Negocio San Clemente, Ca. 92673-6202 (714) 492-6948	
Title	AUTO-ON DEFEAT SWITCH
Size Document Number	B 70-0091
Date	October 2, 1995
REV	11
N/C	11



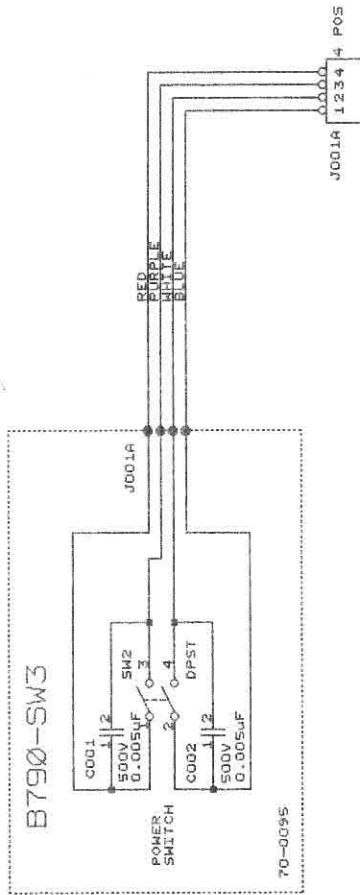
CONFIDENTIAL

PROPRIETARY INFORMATION OF SONANCE
 NOT TO BE COPIED OR DISCLOSED
 EXCEPT BY WRITTEN PERMISSION

DANA INNOVATIONS
 961 CALLE NEGOCIO
 SAN CLEMENTE, CA 92673-6202
 TEL: (909) 582-7777

Title	LED BOARD	REV
Size	Document Number	N/C
Date	70-0092	5 of 11
	October 2, 1995	

- ③ All mylar and ceramic capacitor values are in uF, 100V, 10%.
 - ② All electrolytic capacitor values are in uF, 16V, 20%.
 - ① All resistors are 1/4W, 5%.
- NOTE unless otherwise specified:



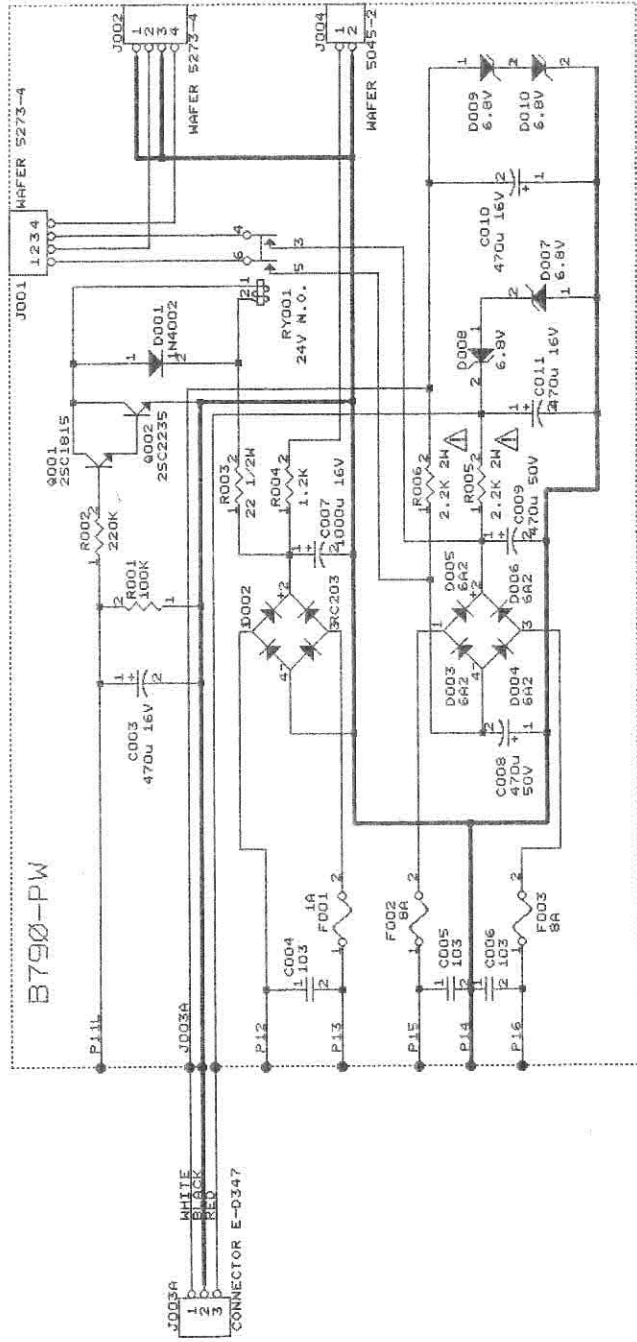
CONFIDENTIAL

PROPRIETARY INFORMATION OF SONANCE
NOT TO BE COPIED OR DISCLOSED
EXCEPT BY WRITTEN PERMISSION

DANA INNOVATIONS	
961 CALLE NEGOCIO	
SAN CLEMENTE, CA 95067-6202	
TEL: (800) 582-7777	
Title	POWER SWITCH ASSEMBLY
Size	Document Number
B	70-0095
Date:	October 2, 1995
Sheet	6 of 11
REV	N/C

- ① All molar and ceramic capacitor values are in uF, 100V, 10%.
- ② All electrolytic capacitor values are in uF, 16V, 20%.
- ③ All resistors are 1/4W, 5%.

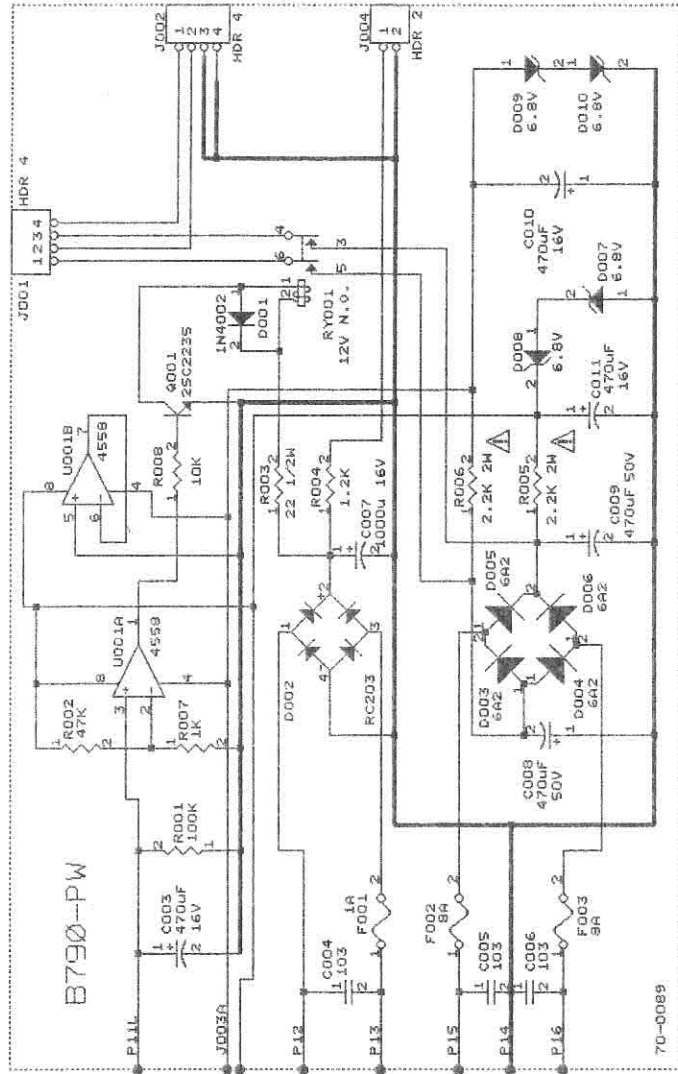
NOTE unless otherwise specified:



CONFIDENTIAL
 PROPRIETARY INFORMATION OF SONANCE
 NOT TO BE COPIED OR DISCLOSED
 EXCEPT BY WRITTEN PERMISSION

Title	DANA INNOVATIONS
Size	POWER BOARD
Document Number	70-0089
REV	A
Date	October 2, 1995
Sheet	7 of 11

- ⚠ Use only flame proof Metal Oxide Film resistors.
 - ② All mylar and ceramic capacitor values are in uF, 100V, 10%.
 - ③ All electrolytic capacitor values are in uF, 16V, 20%.
 - ④ All resistors are 1/4W, 5%.
- NOTE unless otherwise specified:



CONFIDENTIAL

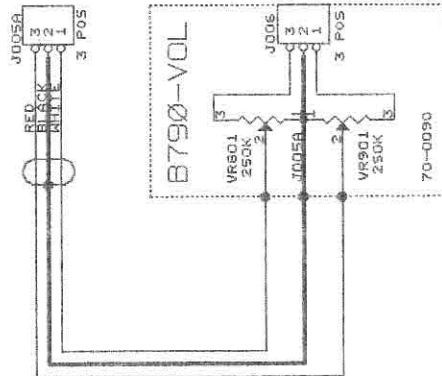
PROPRIETARY INFORMATION OF SONANCE
 NOT TO BE COPIED OR DISCLOSED
 EXCEPT BY WRITTEN PERMISSION

DANA INNOVATIONS
 961 CALLE NEGOCIO
 SAN CLEMENTE, CA 92673-6202
 1 (800) 592-7777

Title	POWER BOARD	REV
Size	B	B
Document Number	70-0089	

- ⚠ Use only flame proof Metal Oxide Film resistors.
- Ⓜ All mujar and ceramic capacitor values are in uF, 100V, 10%.
- Ⓜ All electrolytic capacitor values are in uF, 16V, 20%.
- Ⓜ All resistors are 1/4W, 5%.

NOTE unless otherwise specified:



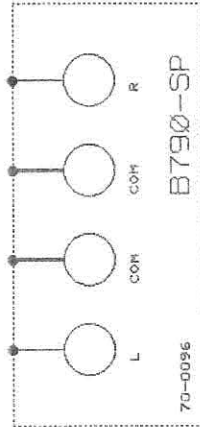
- ② All mylar and ceramic capacitor values are in μF , 100V, 10%.
 - ③ All electrolytic capacitor values are in μF , 16V, 20%.
 - ④ All resistors are 1/4W, 5%.
- NOTE unless otherwise specified:

CONFIDENTIAL

PROPRIETARY INFORMATION OF SONANCE
NOT TO BE COPIED OR DISCLOSED
EXCEPT BY WRITTEN PERMISSION

DANA INNOVATIONS
961 CALLE NEGOCIO
SAN CLEMENTE, CA 92673-6202
1.800.258.7777

Title	VOLUME CONTROL ASSEMBLY	REV	
Size	Document Number	70-0090	N/C
Date:	October 2, 1985	Sheet	9 of 11



- ② All milar and ceramic capacitor values are in μF , 100V, 10%.
 - ② All electrolytic capacitor values are in μF , 16V, 20%.
 - ① All resistors are 1/4W, 5%.
- NOTE unless otherwise specified:

CONFIDENTIAL

PROPRIETARY INFORMATION OF SONANCE
NOT TO BE COPIED OR DISCLOSED
EXCEPT BY WRITTEN PERMISSION

DANA INNOVATIONS
961 CALLE NEGOCIO
SAN CLEMENTE, CA 92673-6202
TEL: (800) 582-7777

Title: 260 SPEAKER TERMINAL

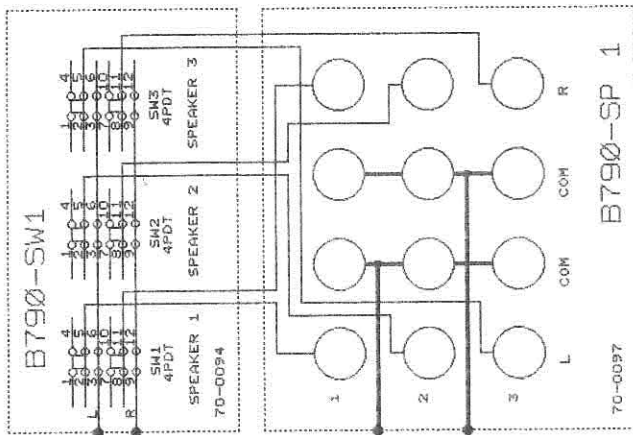
Size: B

Document Number: 70-0096

REV: N/C

Date: October 2, 1995

Sheet 10 of 11



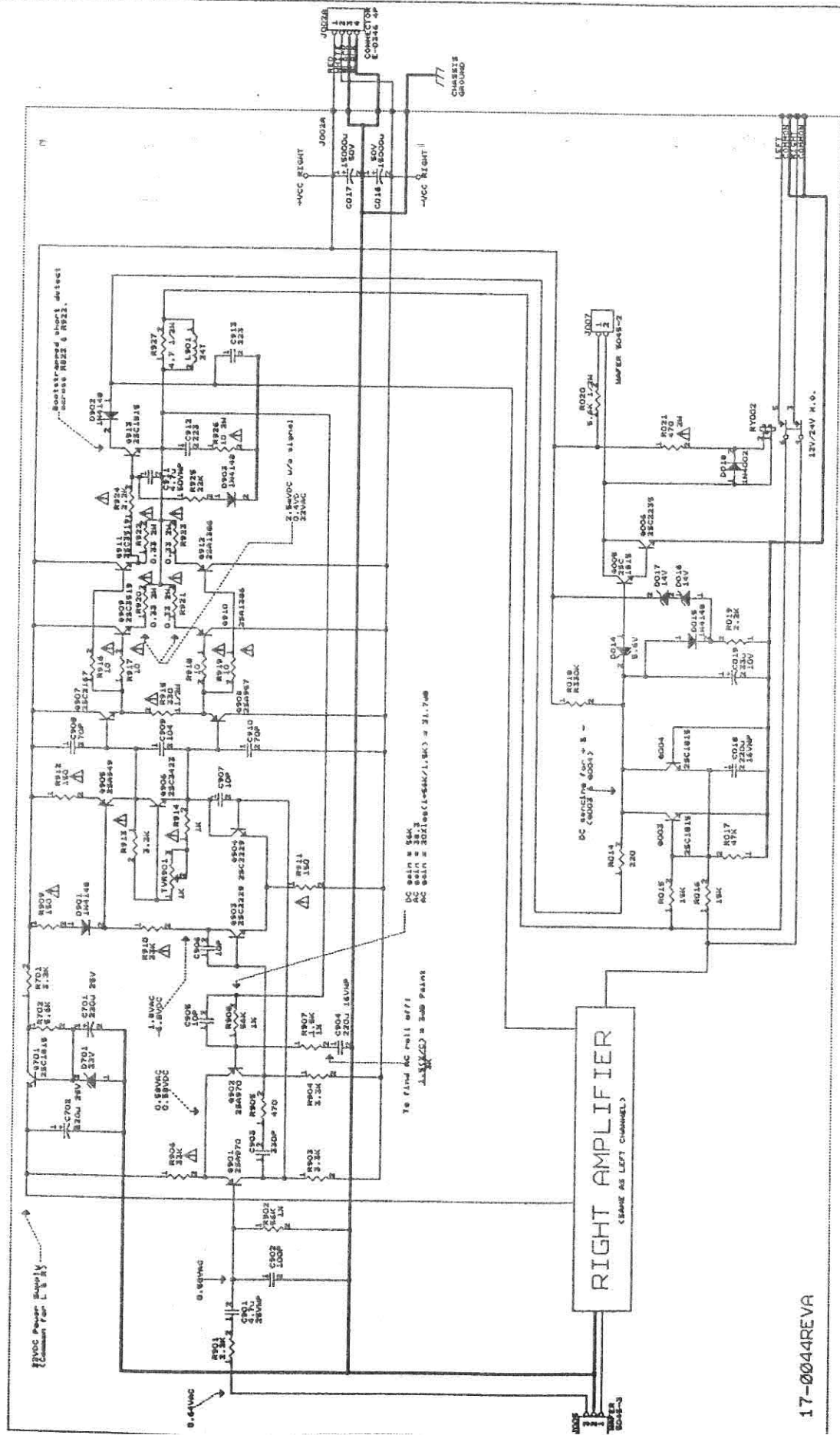
- 1 All milar and ceramic capacitor values are in uF, 100V, 10%.
 - 2 All electrolytic capacitor values are in uF, 16V, 20%.
 - 3 All resistors are 1/4W, 5%.
- NOTE Unless otherwise specified:

CONFIDENTIAL

PROPRIETARY INFORMATION OF SONANCE
NOT TO BE COPIED OR DISCLOSED
EXCEPT BY WRITTEN PERMISSION

DANA INNOVATIONS
961 CALLE NEGOCIO
SAN CLEMENTE, CA 92673-6202
1 (800) 582-7777

Title	260X3 SPEAKER SWITCH & SPEAKER TERMINAL		
Size	Document Number	REV	
B	70-0094 / 70-0097	N/C	
Date:	October 2, 1995	Sheet	11 of 11

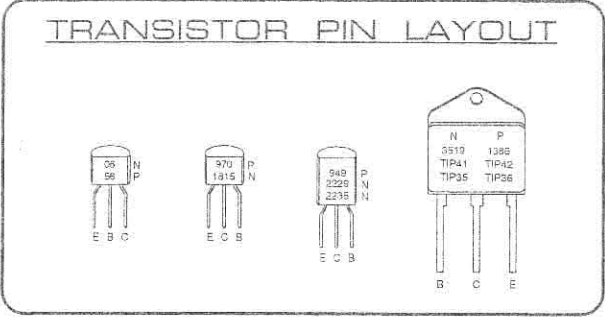


17-0044REVA

- ▲ Use only film power resistors.
 - All components are with full tolerance unless otherwise noted.
 - All meter and ceramic capacitor values are in μ F, 100V, 10K.
 - All electrolytic capacitor values are in μ F, 15V, 50K.
 - All resistors are 1/4W, 5K.
- NOTE: Unless otherwise specified.

CONFIDENTIAL
 PROPRIETARY INFORMATION OF GEORGE
 NOT TO BE COPIED OR DISCLOSED
 EXCEPT BY WRITTEN PERMISSION

DATE	DESIGNER	BY
17-0044REV A	J. BRYANT	
TITLE	AMPLIFIER BOARD WITH NOTES	
PROJECT NUMBER	17-0044REV A	
C		
DATE	DESIGNER	BY
17-0044REV A	J. BRYANT	



NOTES: